



Our cylinders are very suitable to adjust structures as quietly, quickly and precisely as possible. Due to the simultaneous control of up to 10 cylinders even highly complex structures are feasible.

The cylinder is constructed for installation in existing guides and should only be exposed to small side loads. It is used for height and tilt adjustments.

The cylinder consists of brass parts and a piston rod made of stainless steel.

The clamping ring and screws are there only to connect the hose to the pump and the cylinder (clamp ring screwing). The amount needed for assembly is included with the system.

- Attachment screw thread M8 x 1

The flexible pressure hose has the following properties:

- Exterior diameter 4 mm
- Minimum bending radius 25 mm
- Max. operating pressure 100 bar

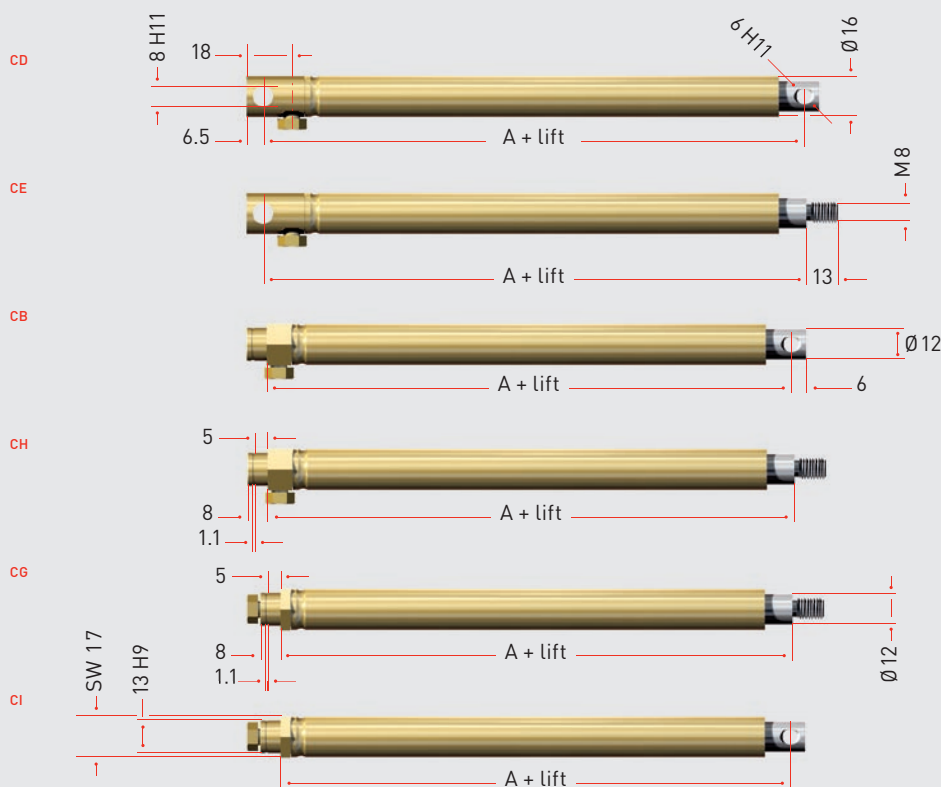


The Brackets D6 and D8 are accessories for Cylinders with side drilled hole in the piston rod or connecting head.

(please check our CAD Drawings under www.ergoswiss.com)



Type **CB/CD/CE/CG/CH/CI**



TECHNICAL DATA

- Please adhere to the max. load of the complete system given in the selection table
- Load max. 1500 N per cylinder
- Cylinders up to 2500 N load upon request
- Lift length up to 600 mm; greater length upon request
- The cylinders should not be exposed to traction
- The cylinders are made for the installation into existing guides
- There is also the possibility to use food-friendly fluids
- Other models (e.g. special piston rod length) upon request

Cylinder dimension (A) in mm

Lift (mm)	CB	CD	CE	CG	CH	CI
150	205	211.5	206.5	194	200	199
200	255	261.5	256.5	244	250	249
300	355	361.5	356.5	344	350	349
400	455	461.5	456.5	444	450	449
500	555	561.5	556.5	544	550	549
600	655	661.5	656.5	644	650	649

Brief description:

Explanation using **CE 1440** as an example
CE = Cylinder type E, 14 = Piston diameter 14 mm, 40 = Cylinder lift 40 cm