



The newly developed guiding System TT is extremely suitable for assembly workplaces, assembly machines, office desks, workbenches, height adjustable beds or for general use in the machine and furniture industry.

The strong aluminum guiding System guarantees high stability and can be easily connected to any kind of aluminum profile.

Based on the T-Nuts on 3 sides of the guides, the **TT** System is very flexible to design any kind of structure. In combination with the **PB** pump, corner combinations and linked workplaces up to 10 legs can be realized. For heavy loads, 2 Cylinders can be mounted in each guide.

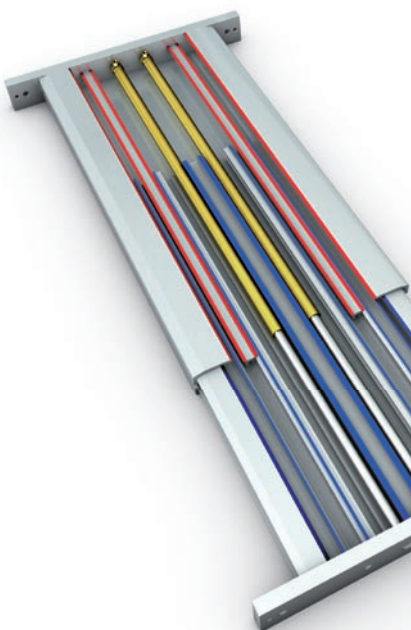
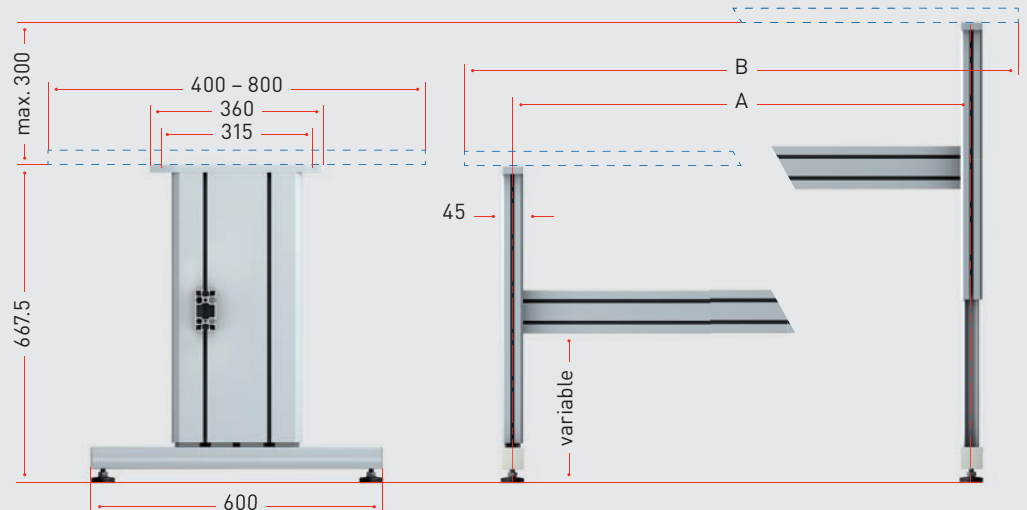


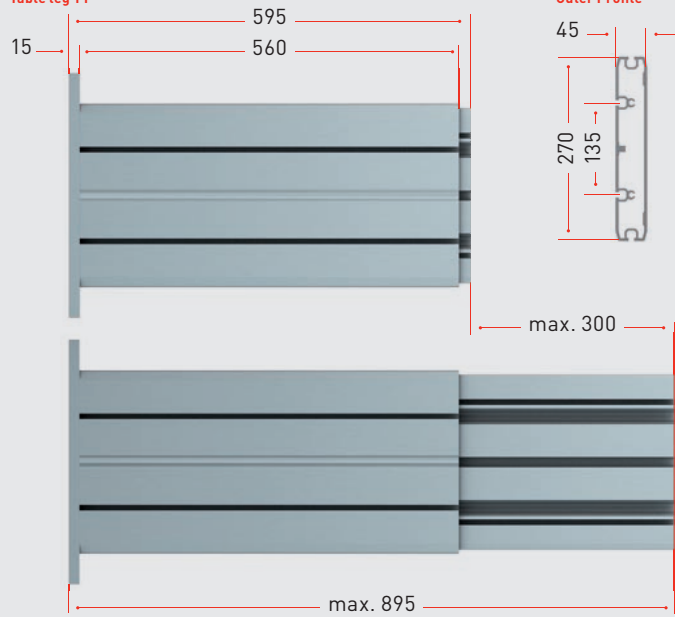
Table System TT-2



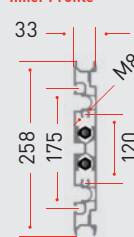
Type TT



Table leg TT



Inner Profile



Upper Plate

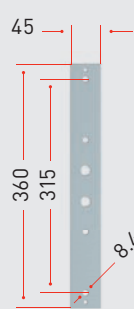
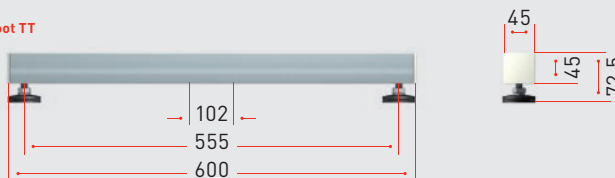
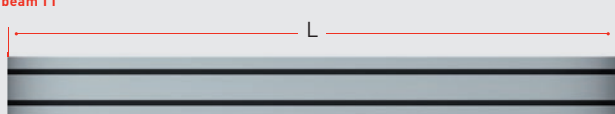


Table foot TT



Joining beam TT



TECHNICAL DATA

- Load max. 1500 N per guiding
- 3'000 N by using 2 Cylinder per guiding
- Please observe the max. load on the complete system
- Retracted length 595 mm
- Lift up to 300 mm
- Max. static bending moment Mb = 1500 Nm
- Max. dynamic bending moment Mb = 150 Nm
- Color: aluminum colorless anodized
- Other models upon request

Versions

Frame	Part - No.:	A (mm)	B (mm)	Joining beam	L (mm)
TT-2 995	108.00141	995	1050 - 1250	TT-950	950
TT-2 1195	108.00142	1195	1250 - 1650	TT-1150	1150
TT-2 1595	108.00143	1595	1650 - 2050	TT-1550	1550