

Operating instructions

for the foldable hand crank

! CAUTIONS

It is not recommended to use the hydraulic system without reading these operating instructions. Before operation please ensure that the Cylinders are connected to the pump.

The hand crank can be damaged if you do not pull out the hand crank (1) before folding it under the table.

In case of breaking the security pin, it only has to be replaced with an original Ergoswiss pin.

General information

With the foldable hand crank all Ergoswiss hydraulic systems could be operated. The crank is directly mounted on the spindle with a pin. By folding the hand crank, it will disappear completely under the table top. In an overload situation, the pin protects the system against overload and will shear off.

Delivery range

The hand crank will be shipped assembled to the pump or apart. If you get the Crank apart, there will be an additional pin ($\varnothing 2.5 \times 16$) to mount the crank at the pump.

A. Assembly

Push the hand crank over the end of the spindle. Between the pump guide and the Crank shaft should be a space of 0.2 mm wideness.

Drill a hole ($\varnothing 2.5\text{mm}$) in a distance of 5 mm from pump and drive in the pin.

B. Operation

To lift the table, turn the hand crank clockwise.

To lower the table, turn the hand crank anticlockwise.

Pull out the hand crank:

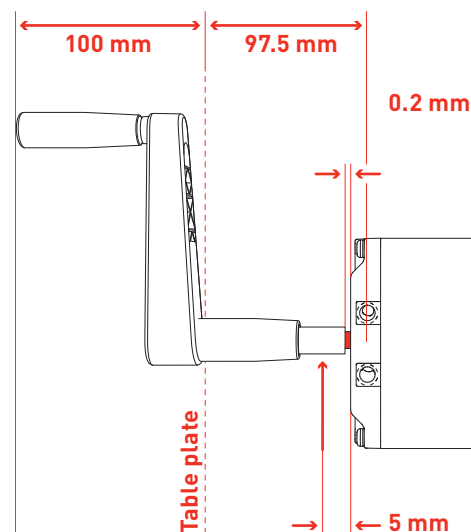
Pull the hand crank as shown in direction (2). The hand crank will move automatically into operating position.

Folding the hand crank:

Pull the hand crank as shown in direction (1).

Fold the hand crank under the table top (2).

A



B

