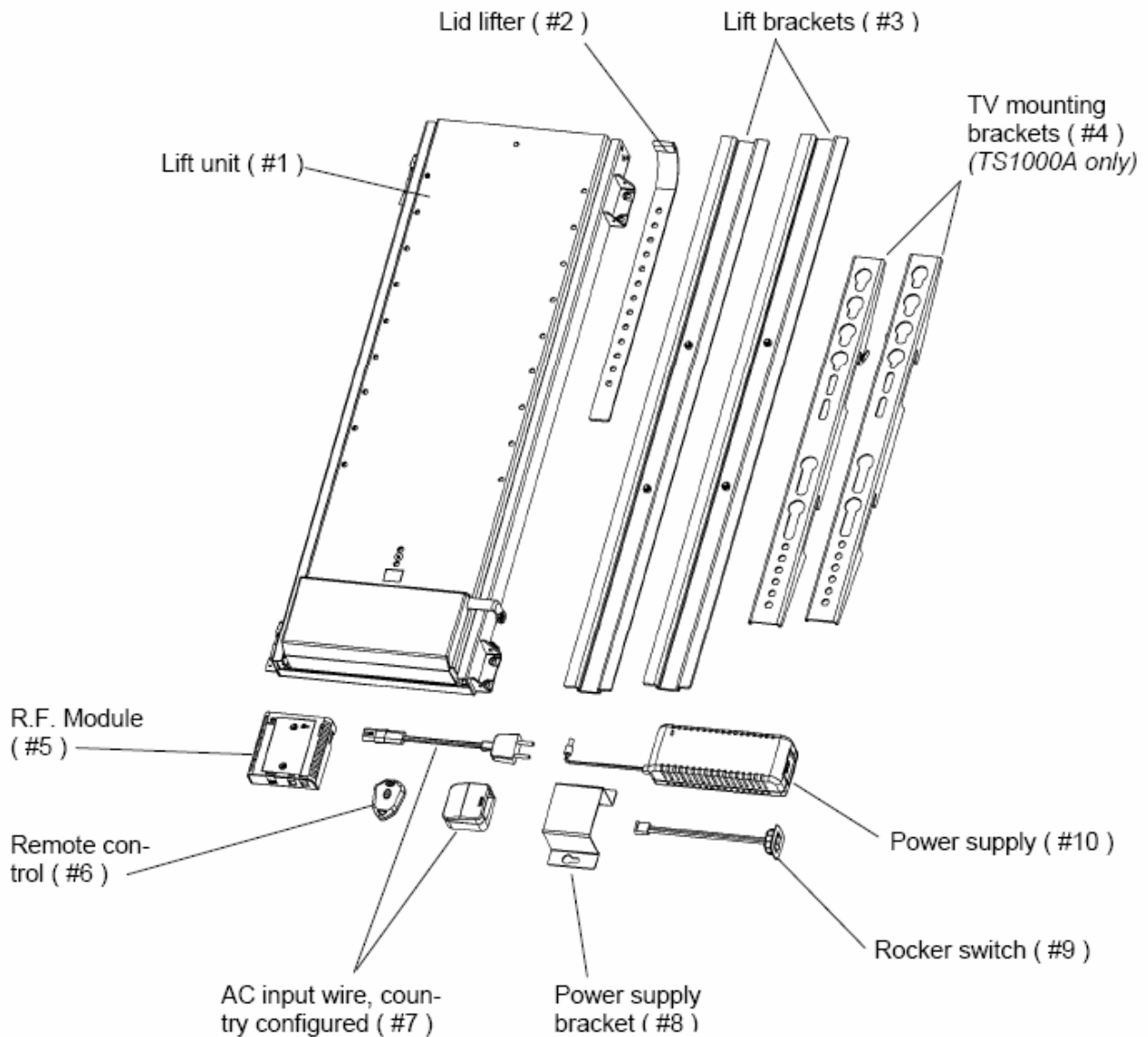


PARTS INCLUDED WITH YOUR SCREENLIFT

- # 1 Screenlift ST 1000A / ST 700A
- # 2 Lid lifter
- # 3 Lift brackets
- # 4 TV mounting brackets (ST 1000A only)
- # 5 R.F. Module
- # 6 Remote control
- # 7 AC input wire
- # 8 Power supply bracket
- # 9 Rocker switch
- # 10 Power supply



CAUTION

Before you begin any of the Installation procedures, read and follow the warnings and safety instructions. Only person that read these instructions are allowed to operate the Screen lift.

SAFETY INSTRUCTIONS

Use the following safety guidelines to help protect your lift from potential damage and to ensure your own personal safety.

- Read and follow all safety instructions
- Read all the installation instructions before testing or installing your lift
- Keep remote control out of reach of children
- To prevent bodily injury keep hands and clothing away from the lift while it is in operation
- Before installing the lift or working with it's connections, unplug the lift from the electrical shock
- If the Lift is mounted in furniture, please take care that no clamping borders and no danger of squeezing can be generated. Please watch the CEE Directions for machine and make a risk analysis
- Do not install the lift, power supply or R.F. module in places subject to extreme temperatures for example near a radiator, or heating vent
- To avoid damaging the power supply, R.F. module and power cord, do not put anything on it or place it where it could become damaged
- Unplug the lift in the following conditions:
 - When the power cord or plug is damaged or frayed
 - If liquid has spilled into the lift, power supply or RF module
 - If the lift, power supply or RF module has been exposed to rain or water
 - If the lift exhibits a distinct change in performance, indicating a need for servicing

FUNCTION CONTROL

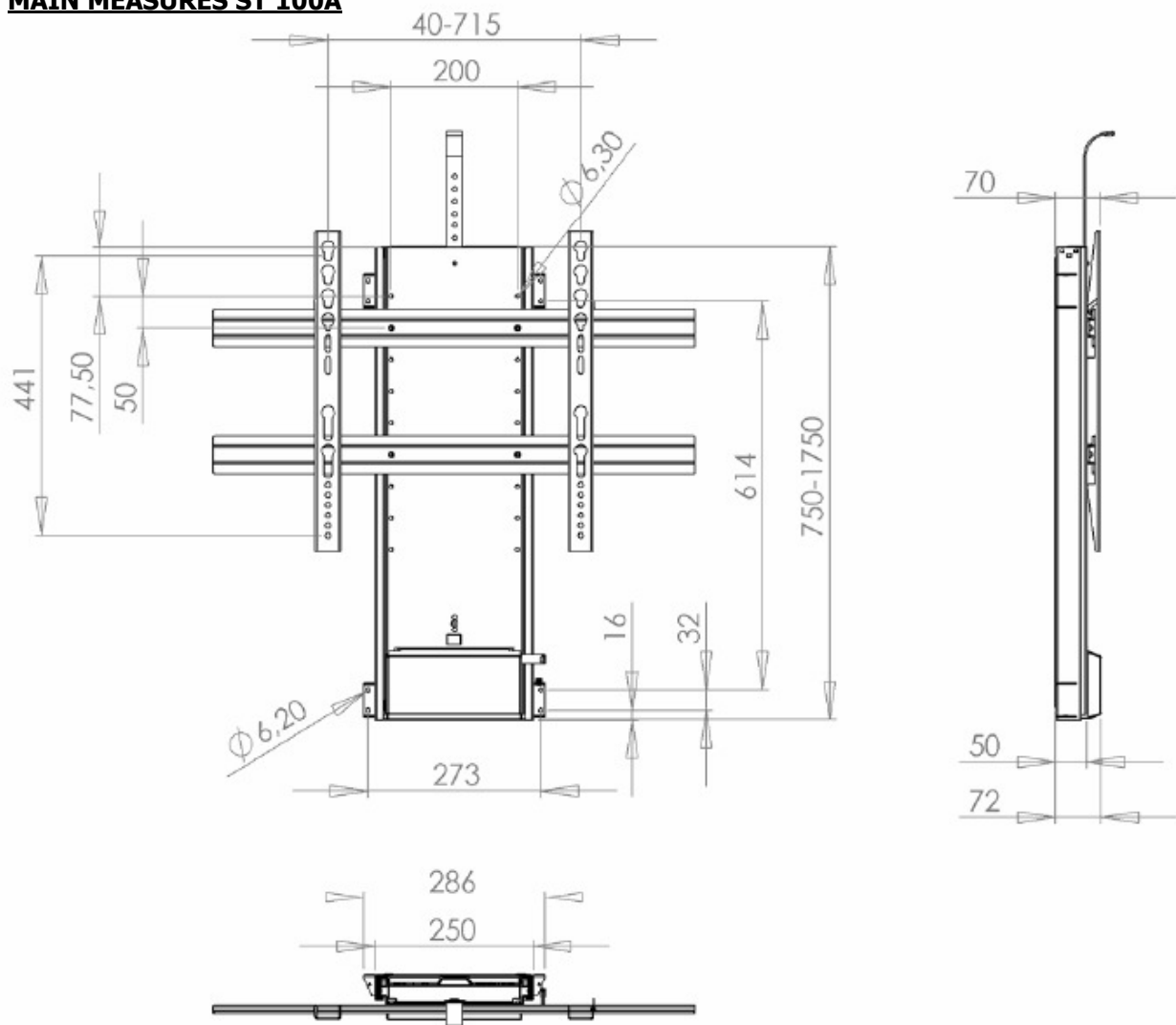
Remove all contents from packaging and compare with the listed parts. Test the function of the Screen lift as follows: (refer to the sketch on page 1):

- Connect the cable of the Screen lift (# 2) to the control box (# 3)
- Connect the cable of the control box (# 3) to the power supply (# 4)
- Connect the cable of the rocker switch to the control box (# 3)
- Connect the net cable of the power supply (# 4)
- Put the Screen lift (# 2) in an vertical position
- Press the rocker switch, drive a few centimetres up and back again. The switch has to be pressed always due of security reasons. By releasing the switch, the screen lift will stop immediately
- Press the remote control (+), drive a few centimetres up and back (-) again. The switch has to be pressed always due of security reasons. By releasing the switch, the screen lift will stop immediately

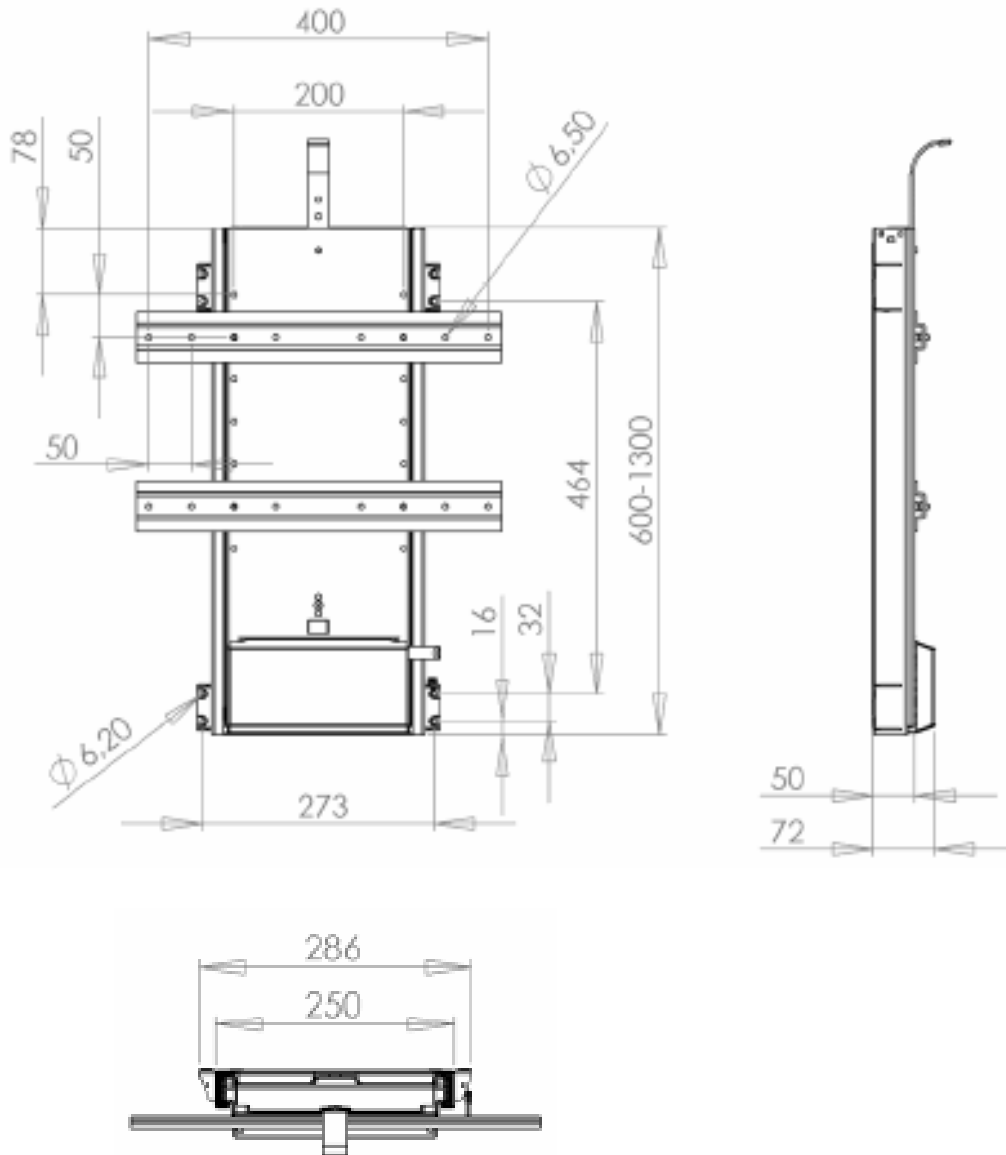
PLEASE NOTE:

During the lifting process (up and down) the Screen lift has always been controlled by eye. If there is a danger, the lift has to be stopped immediately.

MAIN MEASURES ST 100A



MAIN MEASURES, ST 700A



ASSEMBLY OF THE SCREENLIFT

- Place the Screen lift (# 1) vertically (use a level) on the back panel of the cabinet in a location that will allow full up and down movement of the TV. Use the intended fixing hole on the sides of the Screen lift. The Screen lift has to be mounted about 4mm below the furniture border.
- Attach the power supply (# 10) with the power supply bracket (#8). Please follow the drawing on page 1, the power supply needs to be mounted on the right side of the Screen lift.
- Attach the R.F. module (# 5) next to the power supply (# 10). Take care that the wires have enough space that they cannot get caught.
- To attach the Rocker Switch (# 9), you have to drill a hole at the designated position. Then press the Rocker Switch in. Take care that the wires have enough space that they cannot get caught. Attach the wires with cable clips.

- Connect the cable of the control box (# 3) to the power supply (# 10)
- Connect the cable of the rocker switch to the control box (# 5)
- Connect the net cable of the power supply (# 10)
- Move the TV mounting brackets (# 4) above the Lift brackets (# 3).

- Adjust the TV mounting brackets for your TV and attach it to the TV. Make sure the TV is attached centrally to the mounting brackets.
- Drive the Screen lift (# 1) to its upper position.

- Place the TV on wanted position and attach the lift brackets to the Screen lift.
- Drive down the Screen lift with the attached TV. Take care that the TV cannot get jammed somewhere and that it breaks in completely to the furniture.

- Attach the Lid lifter (# 2) with the bended end to the direction of the front side into the groove of the Screen lift. The Lid lifter has to stand over the TV.

- Drive again to the upper position and tight all screws.

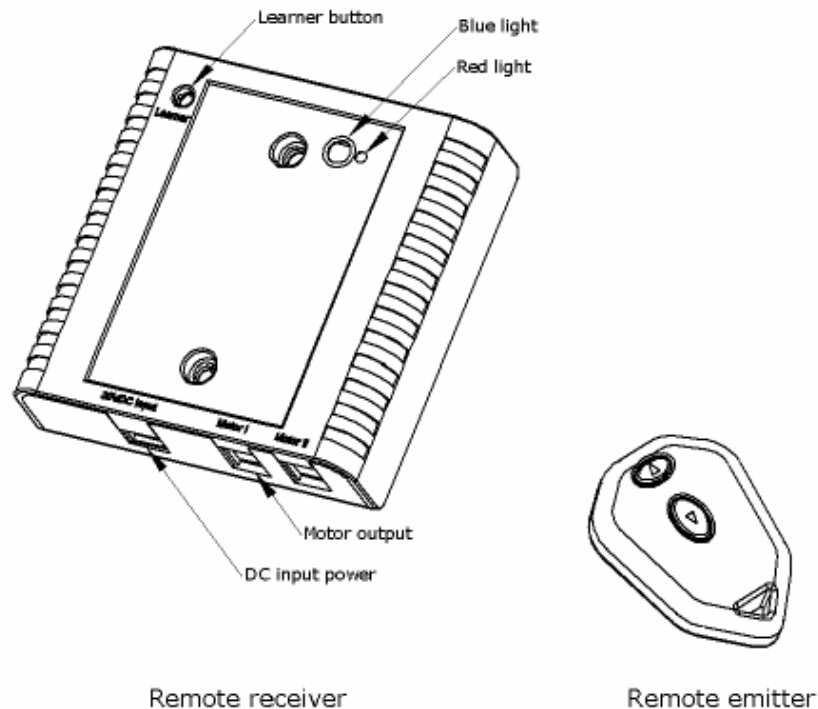
Background for this direction is the characteristic of the assembly into a cabinet.

PLEASE TAKE CARE, THAT:

During operation, no hands and clothing can be kept in the function area of the Screen lift

No clamping borders and no danger of squeezing can be generated. Please watch the CEE Directions for machine and make a risk analysis

USER INSTRUCCION, RF REMOTE SYSTEM



INSTALLATION

- Connect the power supply and the motor unit to the remote receiver. Two different plug sizes make this connection only possible to make it in the right way
- After having connected the plugs, the blue light will be light.
- Push the emitter buttons and the motor unit will move up and down.
- The button has to be pushed while the Screen lift is operating.

LEARNING

- If the remote receiver does not respond when pushing the emitter buttons, reset the receiver. After that, code the emitter an receiver together again.

CODING

- Push the learner button on the receiver for less than 1 second
- Push one of the emitter buttons
- The red light will start flashing
- Pus one oft he emitter buttons again and the red light will turn off
- The units now are ceded together with a unique code

RESET

- Push and hold down the learner button on the receiver for 10 seconds. (will be reset when the red light turns off)

OPERATED BY ROCKER SWITCH

- By pressing the switch upside the Screenlift will drive up
- By pressing the switch downwards the Screenlift will drive down

The button has to be pressed during the whole lifting or lowering process due of security reasons. By releasing the switch, the screen lift will stop immediately

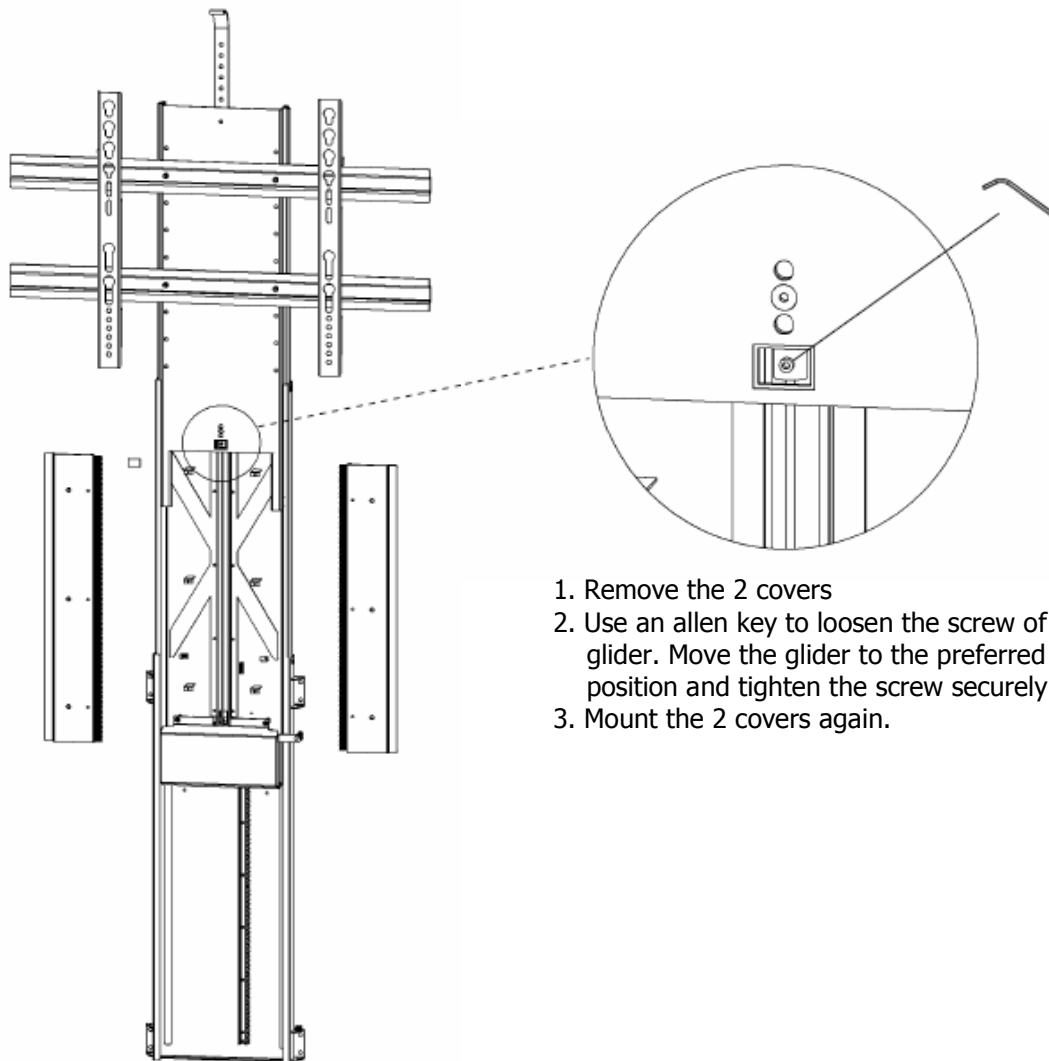
PLEASE NOTE:

During operation (up and down) the Screen lift has always been controlled by eye. If there is a danger, the lift has to be stopped immediately.

ADJUSTING THE STROKE LENGTH OF THE LIFT

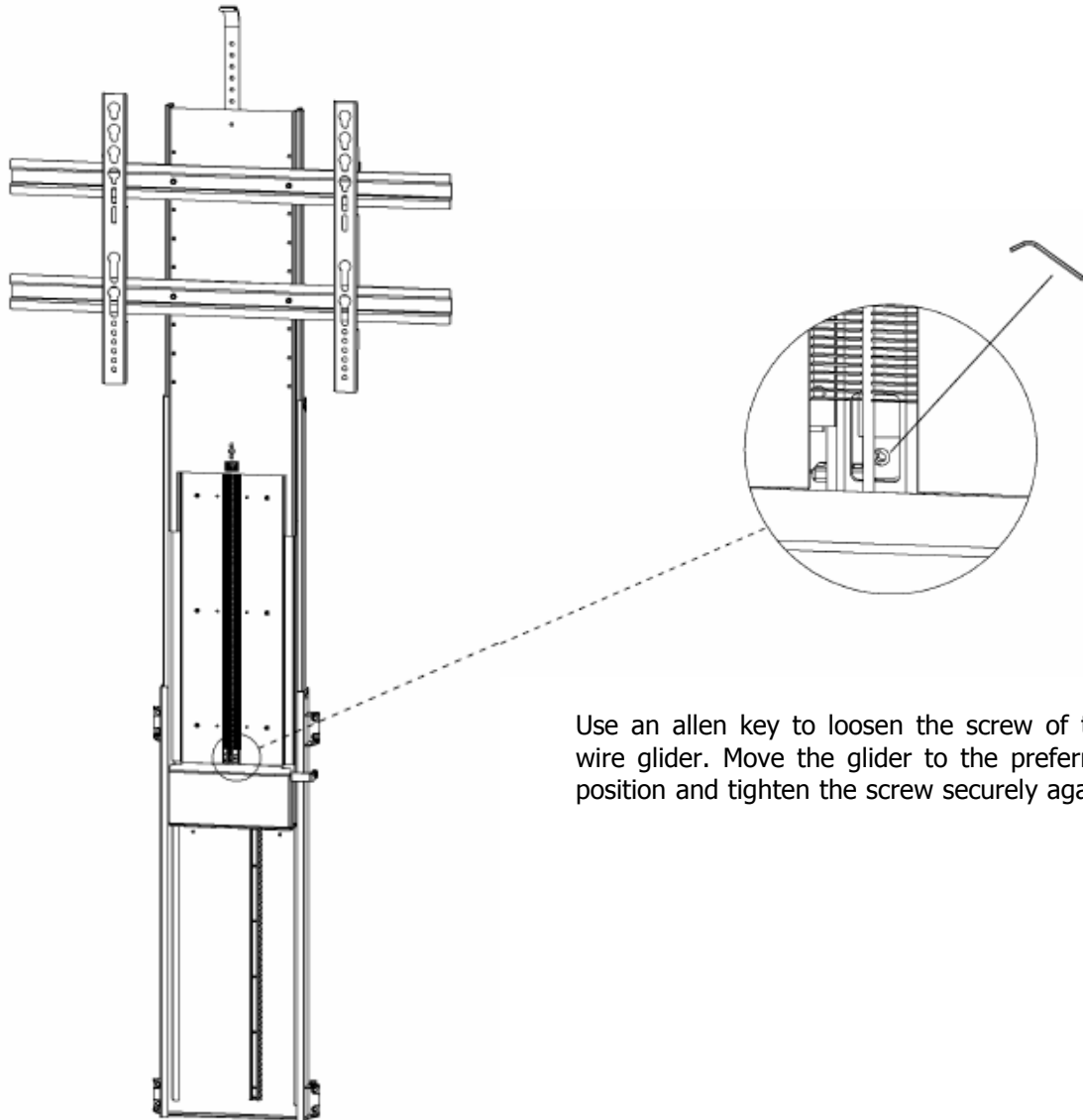
Adjusting the bottom stop

The bottom stop can be adjusted to any preferred height, e.g. if you do not want the lift to go all the way down into the cabinet.



Adjusting the top stop

The top stop can be adjusted to any preferred height, e.g. if you do not want the lift to go all the way out of the cabinet.



Use an allen key to loosen the screw of the wire glider. Move the glider to the preferred position and tighten the screw securely again.

SALES ORGANISATION

Ergoswiss AG
Nöllenstrasse 15
9443 Widnau
Schweiz

T: 0041 71 727 06 70
F: 0041 71 727 06 79
M: info@ergoswiss.com
www.ergoswiss.com

The information in this document is subject to change without notice.