



Universal and compact

The linear unit consists of a cylinder and a linear guide rail and is a compact and robust lifting element. It can be installed directly onto or into existing objects. This means that a table or other devices can easily be equipped or retrofitted with a lifting system.

Four M5 screw threads are provided to mount the linear units **LA** and **LD**. M6 for **LG**.

The housing of the linear unit is a plain anodised aluminium profile. The stand pipe is made of stainless steel and positioned in a plastic bushing.

The linear unit is available in different versions:

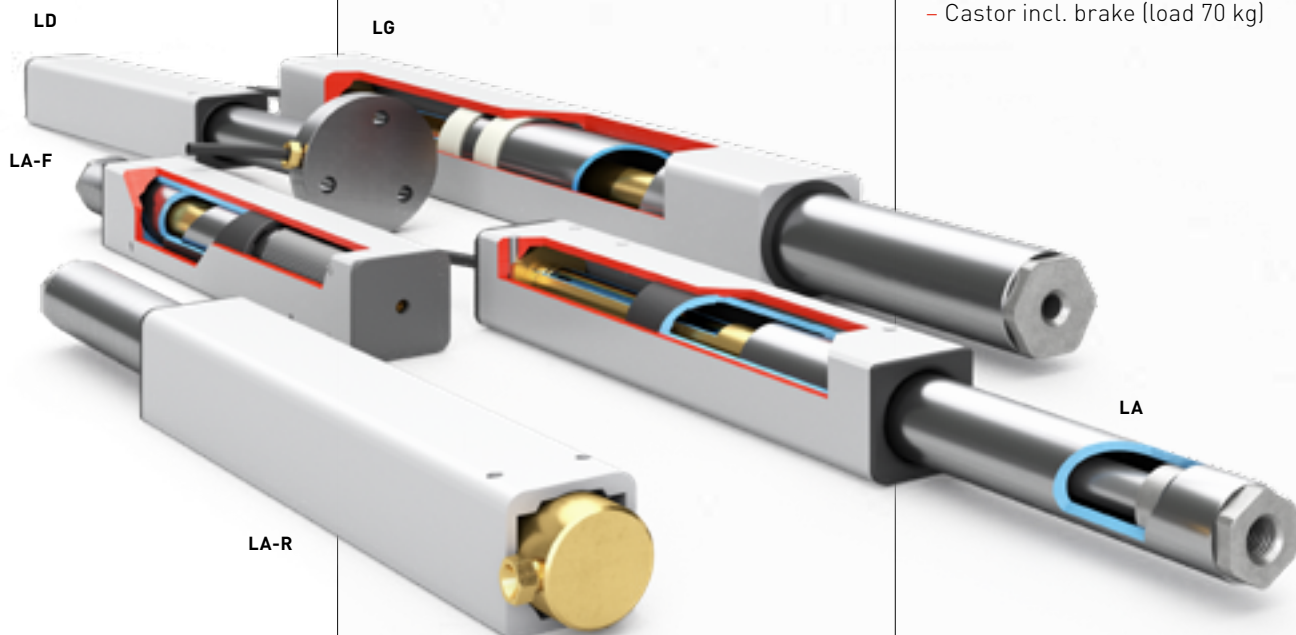
- LA-R: radial tube outlet
- LA-F: with built-in restoring spring
- LA-V: with built-in hose rupture protection

All linear units are stainless and ESD conductive.

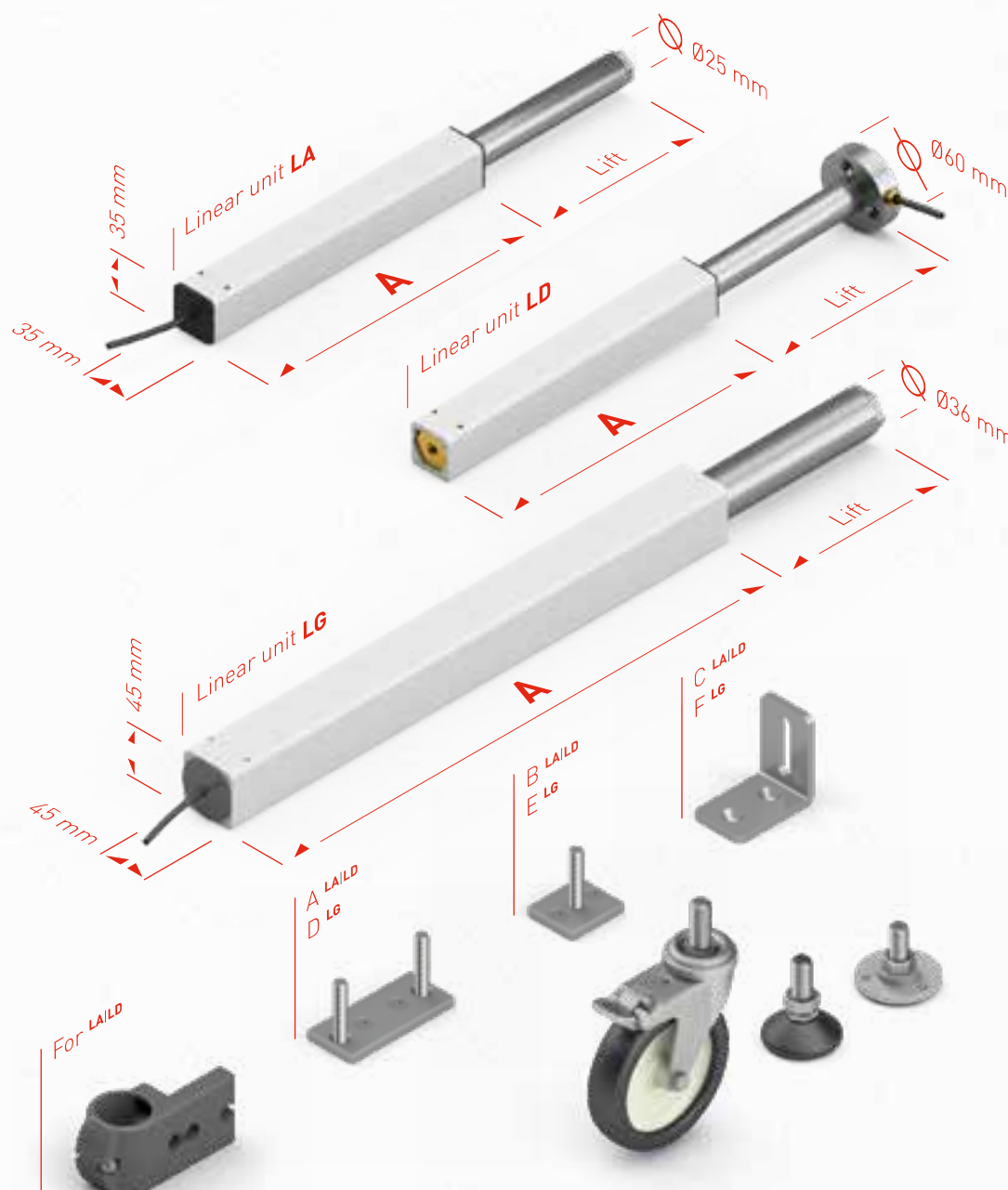
The height is adjusted by means of a hydraulic pump operated by a hand crank or an electric drive unit.

The following accessories are available:

- mounting plates allowing other assembly options for the linear units
- adjustable feet made of rubber or aluminium to compensate for uneven flooring
- Castor incl. brake (load 70 kg)



Dimensions of **LA|LD|LG**



Technical data

- Versatile linear guide rail with slide bearings
- The system power depends on the pump
- Load power per lifting element 1500 N (**LA/LD/LG 14**) 2500 N (**LA/LD/LG 18**)
- Lifting distance max. 700 mm
- Max. static bending moment $M_b = 150 \text{ Nm}$
- Max. dynamic bending moment $M_{bdyn} = 50 \text{ Nm}$
- Food grade hydraulic fluid
- No additional guide rail is required
- The linear units should not be exposed to tensile forces
- The linear unit is supplied with a 3-m hydraulic hose pre-fitted as standard
- Plain anodised aluminium

Type	LA LD LG	
	Lift	A
LA LD 1415	150	252 mm
LA LD 1420	200	317 mm
LA LD LG 1430	300	442 mm
LA LD LG 1440	400	542 mm
LA LD 1450	500	667 mm
LA LD 1460	600	767 mm
LA LD 1470	700	867 mm

Detailed CAD drawings in various formats can be found at www.ergoswiss.com