



Combinable in a variety of ways



The base frame **TM-2** consists of two table legs **TM**, each of which is mounted on a table foot with adjustable feet and connected by a crossbar. Each table leg **TM** is equipped with a table plate support which is used to attach the table top.

- Ideal for office desks or light assembly tables

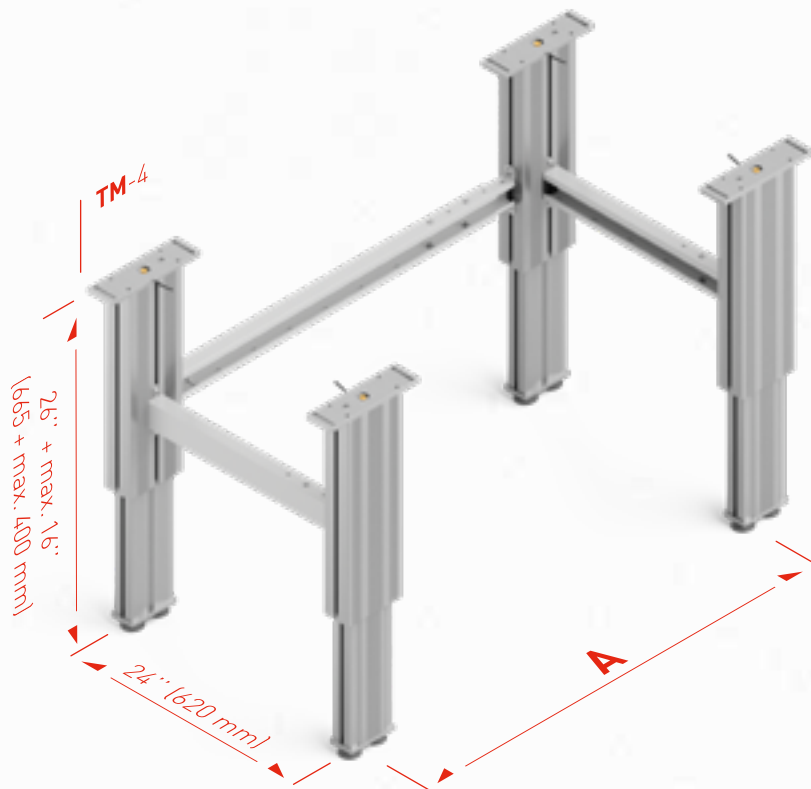
The base frame **TM-4** consists of four table legs **TM**, arranged in a rectangle and connected by crossbars. The table legs are equipped with a foot plate including adjustable rubber feet. The table top is attached directly to the adapter plates of the table legs **TM**.

- Ideal for stable workbenches



Assembly and operating instructions are included with every delivery. They can also be downloaded from www.ergoswiss.com.

Dimensions of base frame **TM**



Base frame **TM-4**

	A
TM-4	700 mm
TM-4	1100 mm
TM-4	1300 mm
TM-4	1700 mm

The telescopic crossbar is adjustable in 50 mm increments.

The telescopic crossbar can be fitted directly on the outer slot using the slot nuts supplied.

Smaller dimensions are available on request.

Detailed CAD drawings in various formats can be found at www.ergoswiss.com