



Our base frame **TT** is designed for the fast and flexible assembly of tables.

The maximum load power is 300 kg or 500 kg depending on the pump version. The max. height adjustment range is 400 mm.

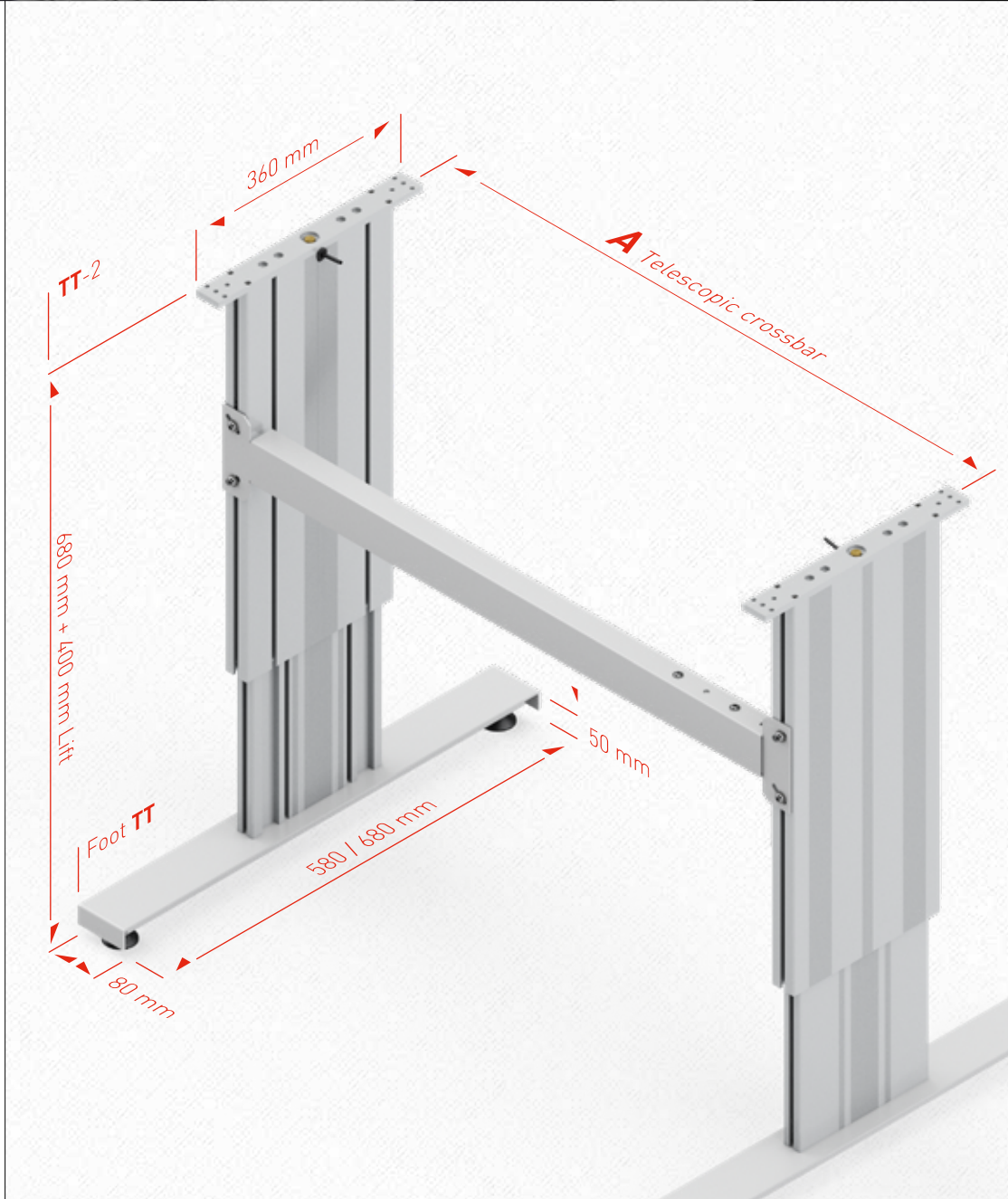
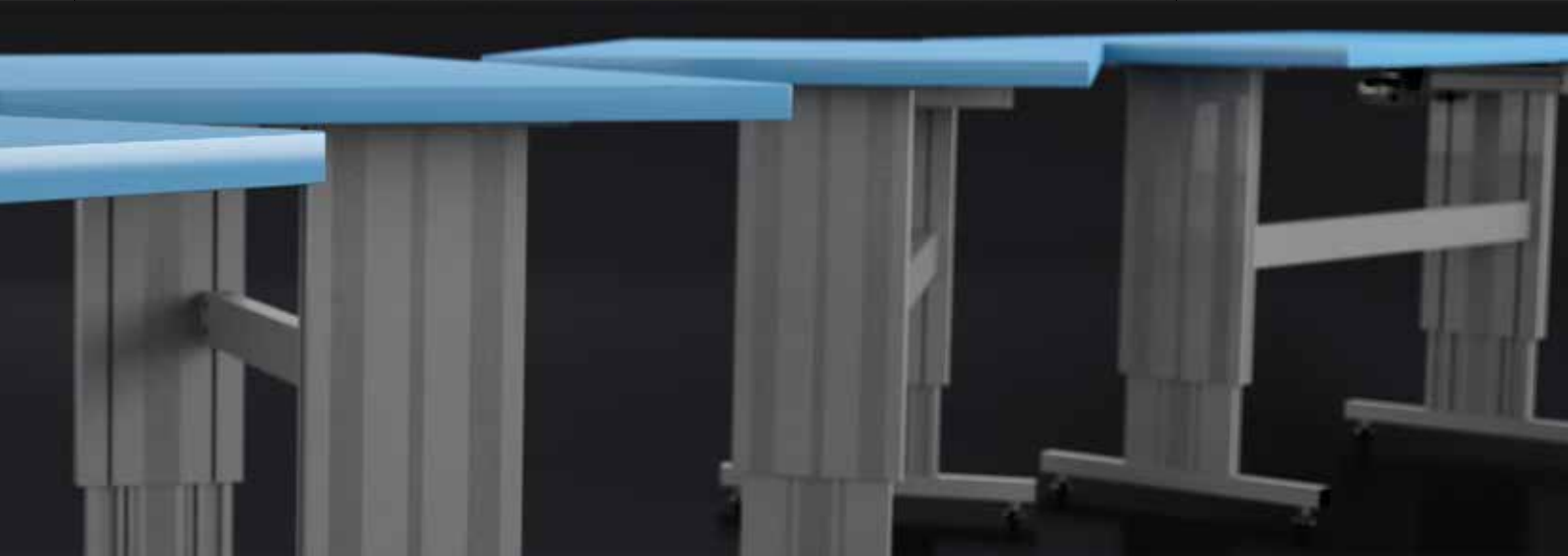
The **TT-2** base frame consists of 2 table legs, a crossbar and 2 table feet. The crossbars slide easily into the grooves of the table legs and are fastened in place with an Allen key. Various screws to mount the table top are included with your order. The base frame is delivered unassembled.

Please note that a pump with hand crank or electric drive unit is also required.

Assembly and operating instructions are included with every delivery. They can also be downloaded from **www.ergoswiss.com**.



Dimensions of base frame **TT**



Base frame **TT-2**

	A
TT-2	940 - 1590 mm

The telescopic crossbar is adjustable in 50 mm increments.

The telescopic crossbar can be fitted directly on the outer slot using the slot nuts supplied.

Smaller dimensions are available on request.

Detailed CAD drawings in various formats can be found at www.ergoswiss.com.