



### Robust and versatile

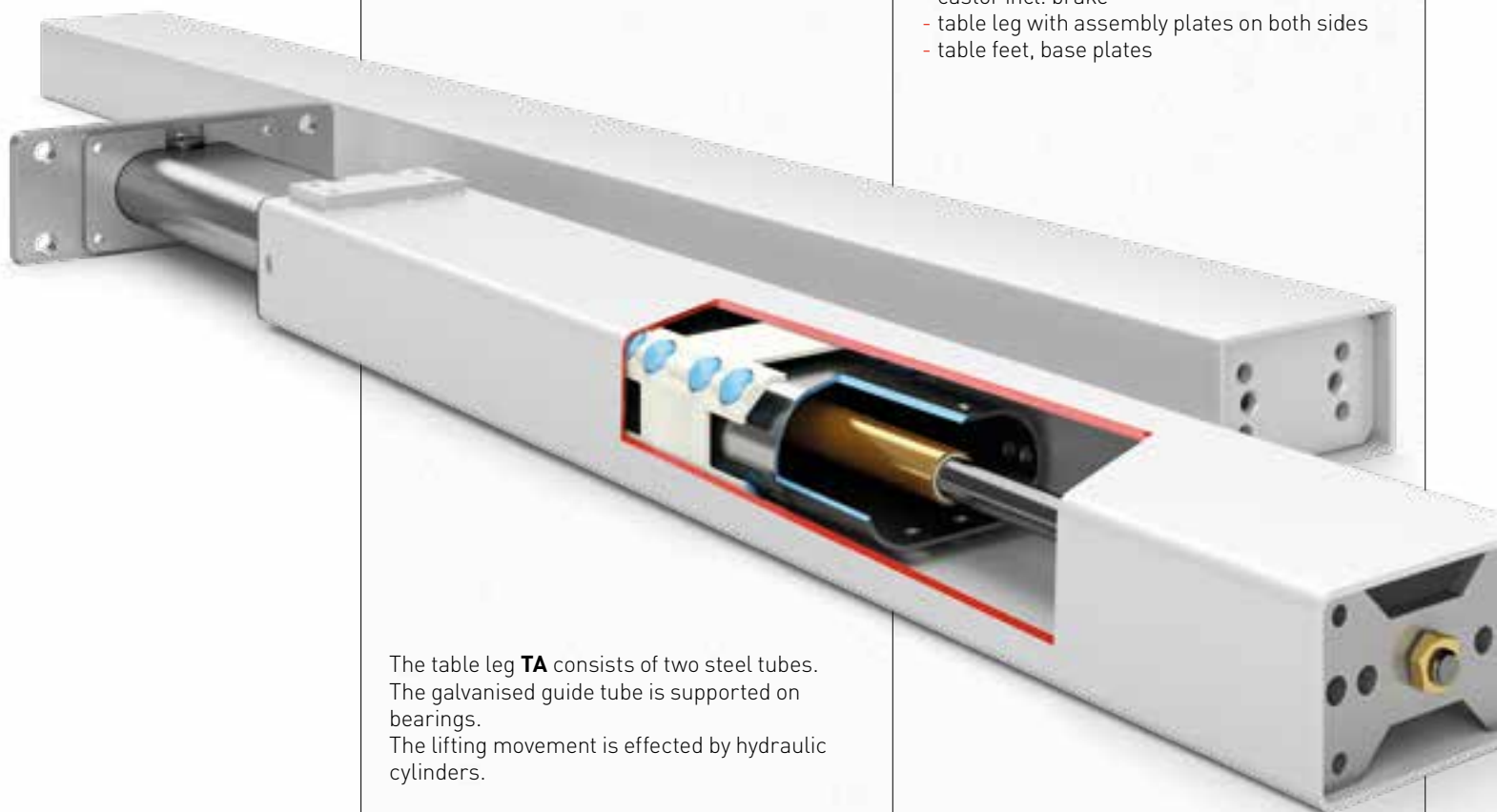
The table leg **TA** is ideal for assembly work stations, workbenches, office desks, built-in kitchens or in combination with aluminium profile systems with high load and stability requirements.

Crossbars or mounting brackets are fitted on the welded-on mounting plate. The table plate supports, crossbars and mounting brackets are supplied with all the necessary screws.

The height is adjusted by means of a hydraulic pump operated by a hand crank or an electric drive unit.

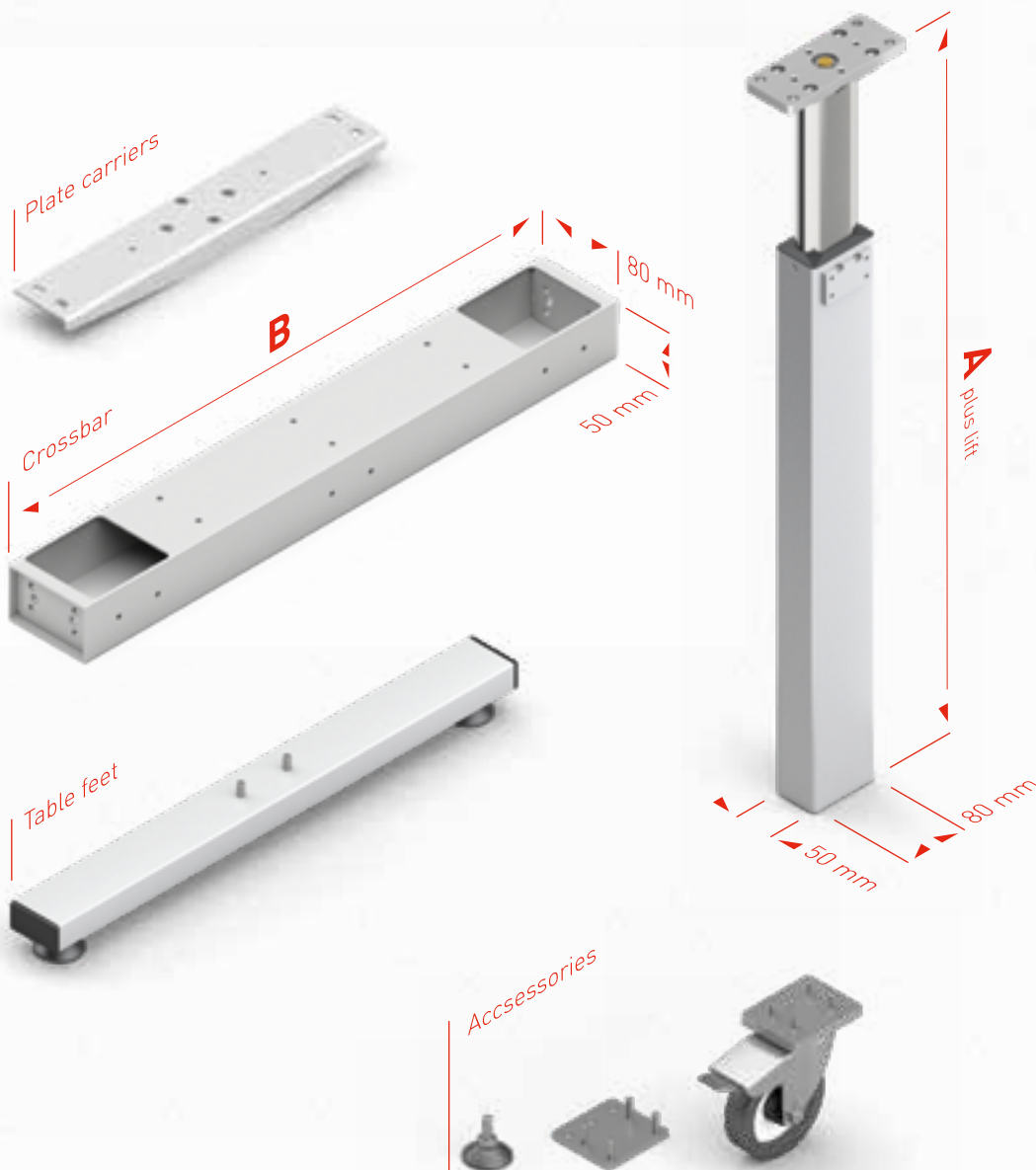
The 4-metre-long hydraulic hose is already mounted on the table leg and vented to ensure easy assembly.

- The following accessories are available:
- table plate supports for mounting the table top
  - crossbars of various lengths
  - adjustable feet made of rubber or aluminium
  - castor incl. brake
  - table leg with assembly plates on both sides
  - table feet, base plates



The table leg **TA** consists of two steel tubes. The galvanised guide tube is supported on bearings. The lifting movement is effected by hydraulic cylinders.

# Dimensions of TA



## Technical data

- Robust leg with ball track
- Please also note the maximum load of the entire system
- Max. load power per leg:  
1500 N (TA 14)  
2500 N (TA 18)
- Lifting distance max.  
500 mm
- Max. static bending moment  $M_b = 400 \text{ Nm}$
- Max. dynamic bending moment  $M_{b\text{dyn}} = 100 \text{ Nm}$
- The leg is supplied with a 4-m hydraulic hose pre-fitted as standard
- Colour: RAL 9006 white aluminium
- Other models on request
- Food grade hydraulic fluid

Table leg TA		
	A	Lift
TA 1430	415 mm	300 mm
TA 1440	515 mm	400 mm
TA 1450	640 mm	500 mm

Crossbar TA	
	B
TA 550	550 mm
TA 750	750 mm
TA 950	950 mm
TA 1150	1150 mm
TA 1550	1550 mm

Detailed CAD drawings in various formats can be found at [www.ergoswiss.com](http://www.ergoswiss.com)