

Slim and powerful

The spindle lifting column **SQ** belongs to the same product family as the table leg TQ. Its plain anodised aluminium housings comes with a simple surface design to ensure an elegant and stylish finish.

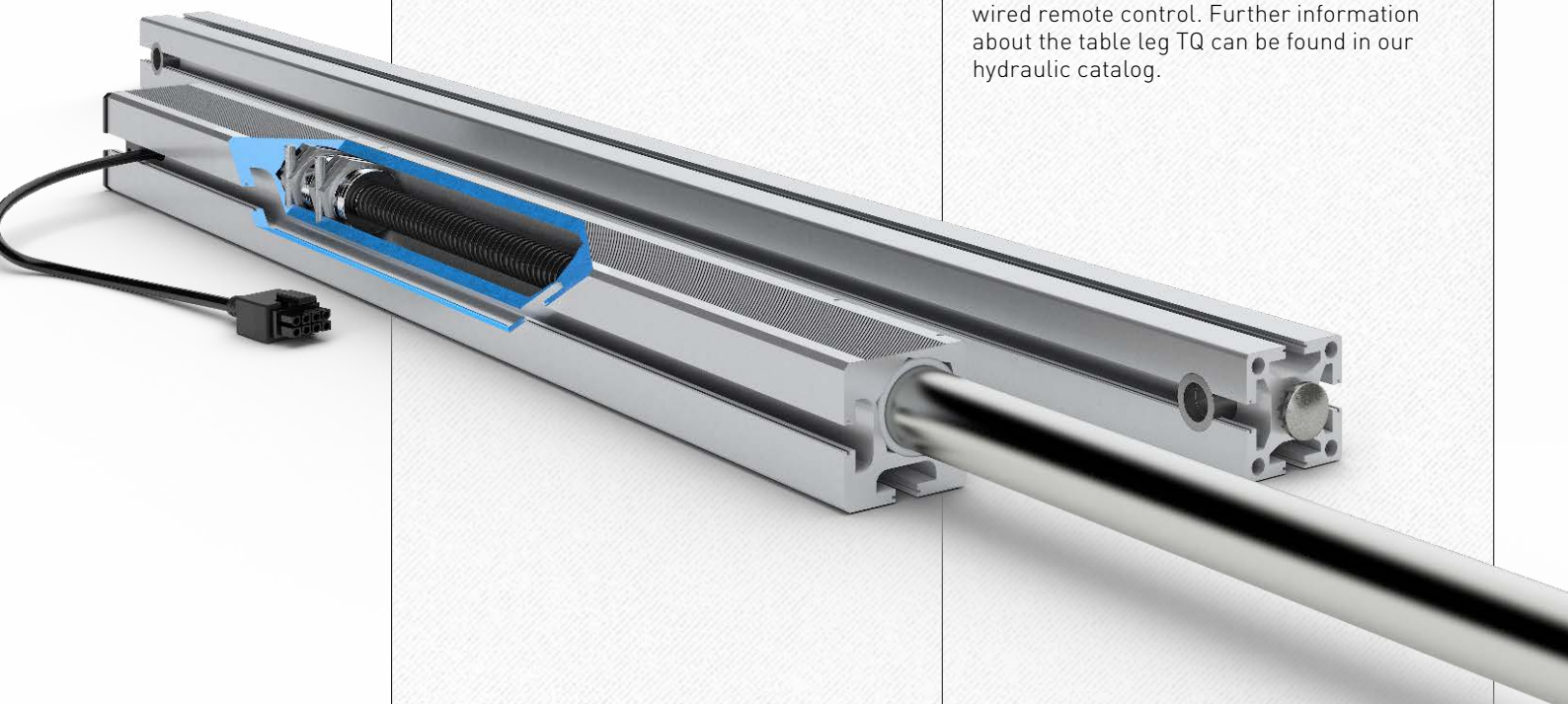
The T-slots on 2 sides (width 8 mm) allow the mounting of crossbars, shelves and other attachments along the entire length of the leg.

This product family also has a corresponding range of accessories to use in combination.

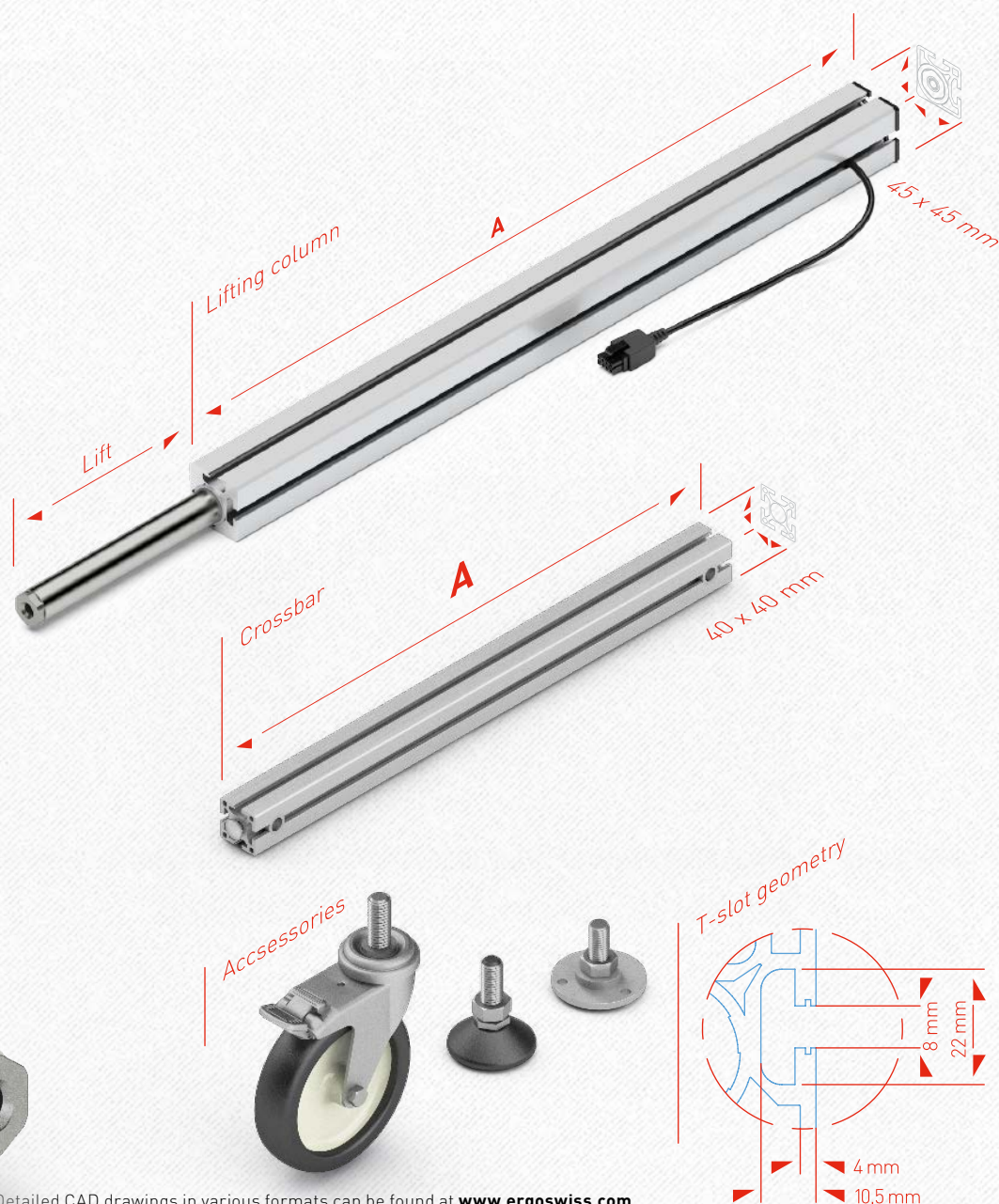
Application

The electrically driven lifting column **SQ** is suitable for height adjustable mounting tables, laboratory workstations and generally in furniture and mechanical industry. Up to 4 lifting columns can be connected to one control box and are operated synchronous. In synchronous operation with 2 control boxes, up to 8 lifting columns can be operated. Each lifting column has an internal motor that drives the threaded spindle.

As a variant to the lifting column **SQ** the table leg TQ offers the possibility of adjusting the height by a hand crank or electrically with a wired remote control. Further information about the table leg TQ can be found in our hydraulic catalog.



Dimensions **SQ**



Technical data

- Versatile linear guide rail with **internal** drive unit
- Compressive force per lifting element 1250 N
- Tensile force per lifting element 1250 N
- Please also note the maximum load of the entire system
- Synchronous control of 1 to 8 linear units
- Lifting speed 9 mm/s
- Stroke length 300 or 400 mm
- Mb stat. = 200 Nm
- Mb dyn. = 80 Nm
- Colour: colourless anodised aluminium

Lifting column **SQ**

	A	Lift
SQ 1330	640 mm	300 mm
SQ 1440	740 mm	400 mm

Crossbar **SQ**

	A
SQ 550	550 mm
SQ 750	750 mm
SQ 950	950 mm
SQ 1150	1150 mm
SQ 1550	1550 mm

Detailed CAD drawings in various formats can be found at www.ergoswiss.com