



The **TA** base frame is a modular system and is therefore very versatile and flexible in its application.

The maximum load power is 350 kg, 600 kg, or 800 kg depending on the system combination. Thanks to the large lifting distance of maximum 500 mm, the tables can also be used in a standing position.

TA-2: The two-leg base frame for sitting and standing work stations in the office or at the assembly station. Consisting of two table legs, two table plate supports, two table feet as well as a crossbar to stabilise the base frame. Various table lengths can be realised using the crossbars from the standard programme.

TA-3: The three-leg base frame for corner combinations in the office and in assembly areas. Here, the two-leg system is extended with an additional crossbar and a third leg.

TA-4: The four-leg base frame for maximum stability as required for workbenches, joiner's benches and assembly work stations. The longitudinal crossbar can be placed at three different depth positions.

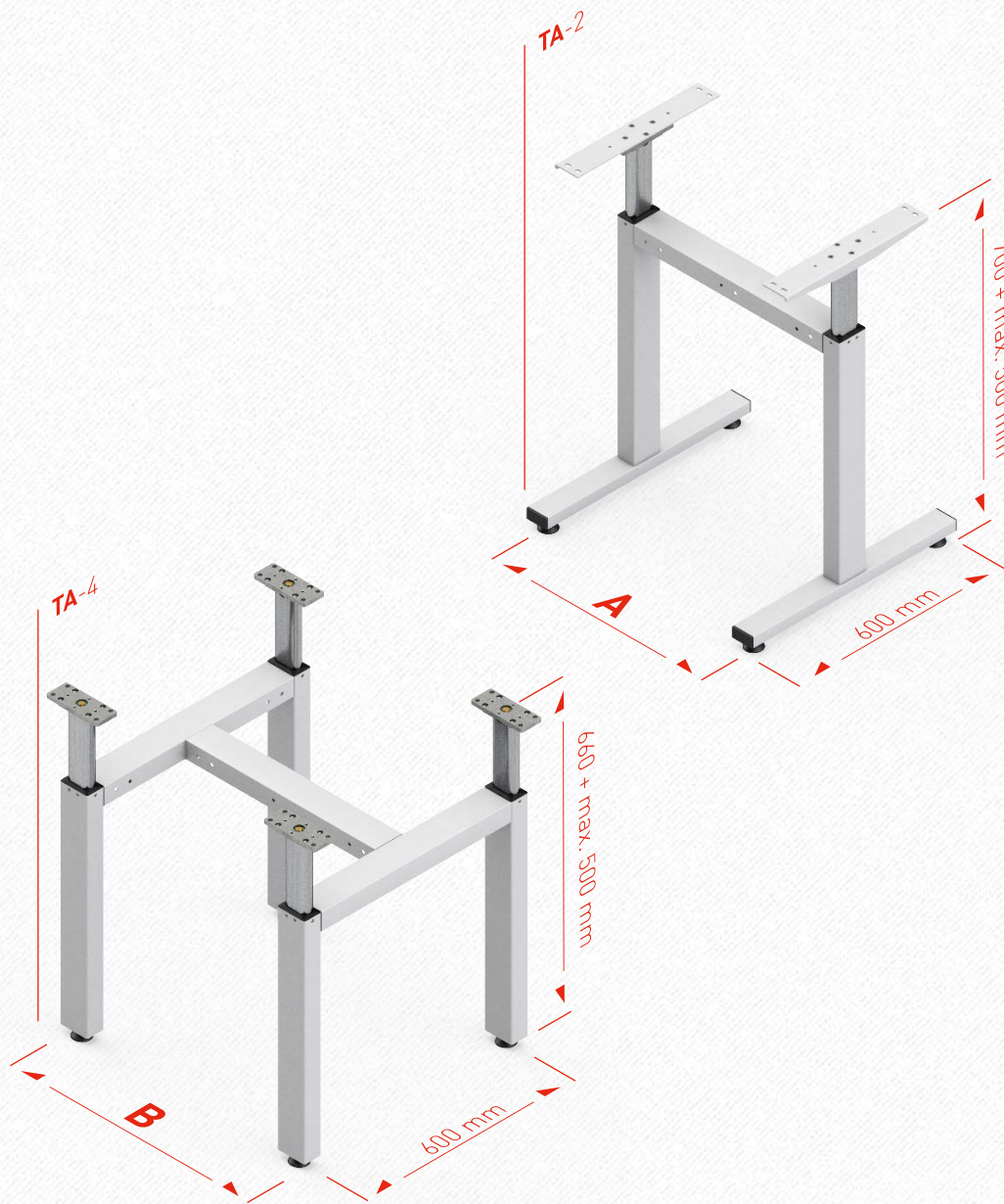
Various screws to mount the table top are included with your order. The base frame is delivered unassembled.

Please note that a pump with hand crank or electric drive unit is also required.

Assembly and operating instructions are included with every delivery. They can also be downloaded from www.ergoswiss.com



Dimensions of base frame **TA**



Base frame **TA-2**

	A
TA-2 600	600 mm
TA-2 1000	1000 mm
TA-2 1200	1200 mm
TA-2 1600	1600 mm

Base frame **TA-4**

	B
TA-4 1030	1030 mm
TA-4 1230	1230 mm
TA-4 1630	1630 mm

Detailed CAD drawings in various formats can be found at www.ergoswiss.com