

Elegant and powerful

The table leg **TL** belongs to the same design family as the table legs **TM**, **SL** and **SM**.

Its plain anodised aluminium housings come with a simple surface design to ensure an elegant and stylish finish in all product combinations.

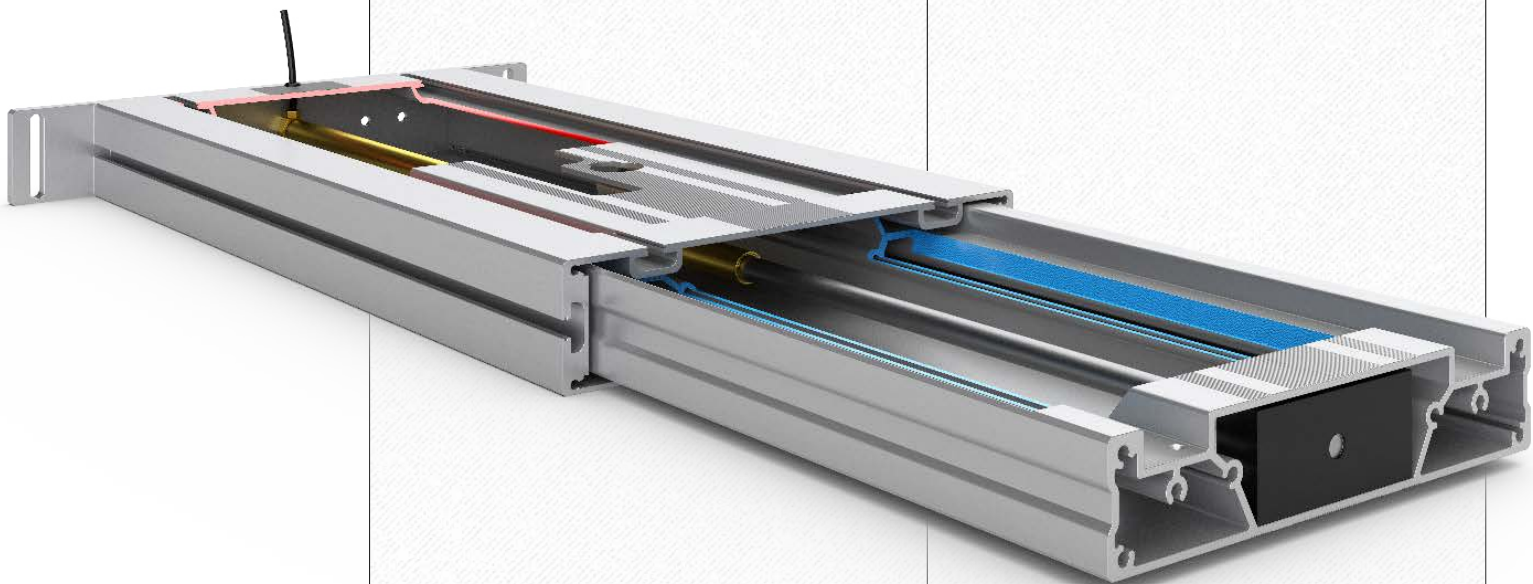
The T-slots on 3 sides (width 8 mm) allow the addition of crossbars, shelves and other attachments along the entire length of the leg. The table legs **TL** and **TM** are the same length and can therefore be easily combined with one another.

This design family also has a corresponding range of accessories to use in combination.

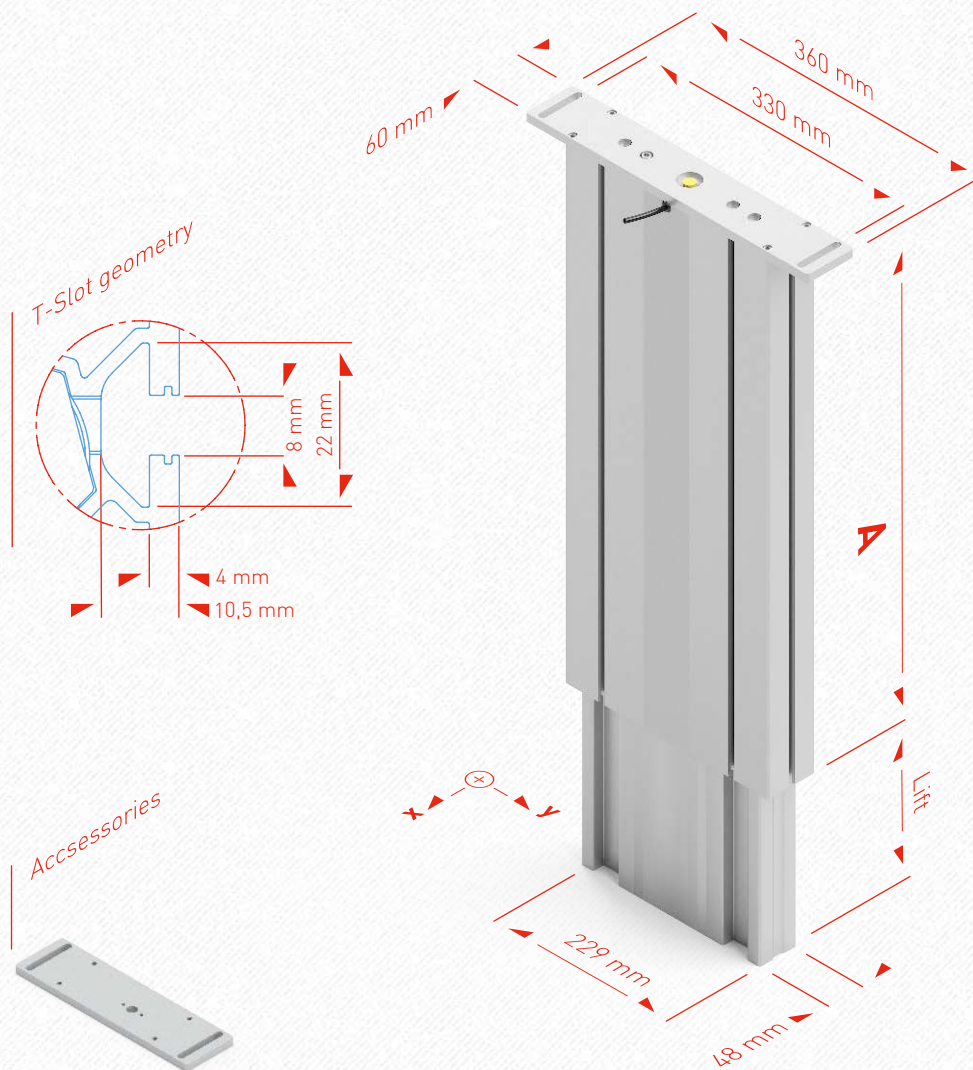
Application

The table leg **TL** is used for 2-leg base frames, while the table leg **TM** tends to be used when a crank drive or several table legs are required. Up to 10 table legs can be driven up and down at the same time. The hydraulic pump can be operated either by using a hand crank or electronically via cable remote control.

The lifting columns **SL** and **SM** are recommended for 2 and 4-leg base frames as an alternative to the table leg **TL/TM**. For further information on the lifting columns **SL** and **SM**, please see our Spindle Lifting Systems catalogue.



Dimensions of TL



Technical data

- Table leg for flexible use with sliding guide
- Max. load power per leg:
 - 1500 N (**TL 14**)
 - 2500 N (**TL 18**)
- Synchronous operation of up to 10 legs possible per pump
- The lifting speed depends on the pump used
- Lifting distance 300 or 400 mm
- M_{bx} stat. = 1200 Nm*
 M_{by} stat. = 450 Nm**
- M_{bx} dyn. = 550 Nm*
 M_{by} dyn. = 200 Nm**
- Colour: plain anodised aluminium

* M_{b} stat. = max. permissible bending moment at rest

** M_{b} dyn. = max. permissible bending moment during lifting movement

Table leg TL		
	A	Lift
TL 1430	530 mm	300 mm
TL 1440	630 mm	400 mm
TL 1830	537 mm	300 mm
TL 1840	637 mm	400 mm

Detailed CAD drawings in various formats can be found at www.ergoswiss.com