



### Create space

Because of its small mounting size there is a lot of space under the table top and room for substructures.

The maximum load is 500 kg. The adjustment range is a maximum of 300 mm.

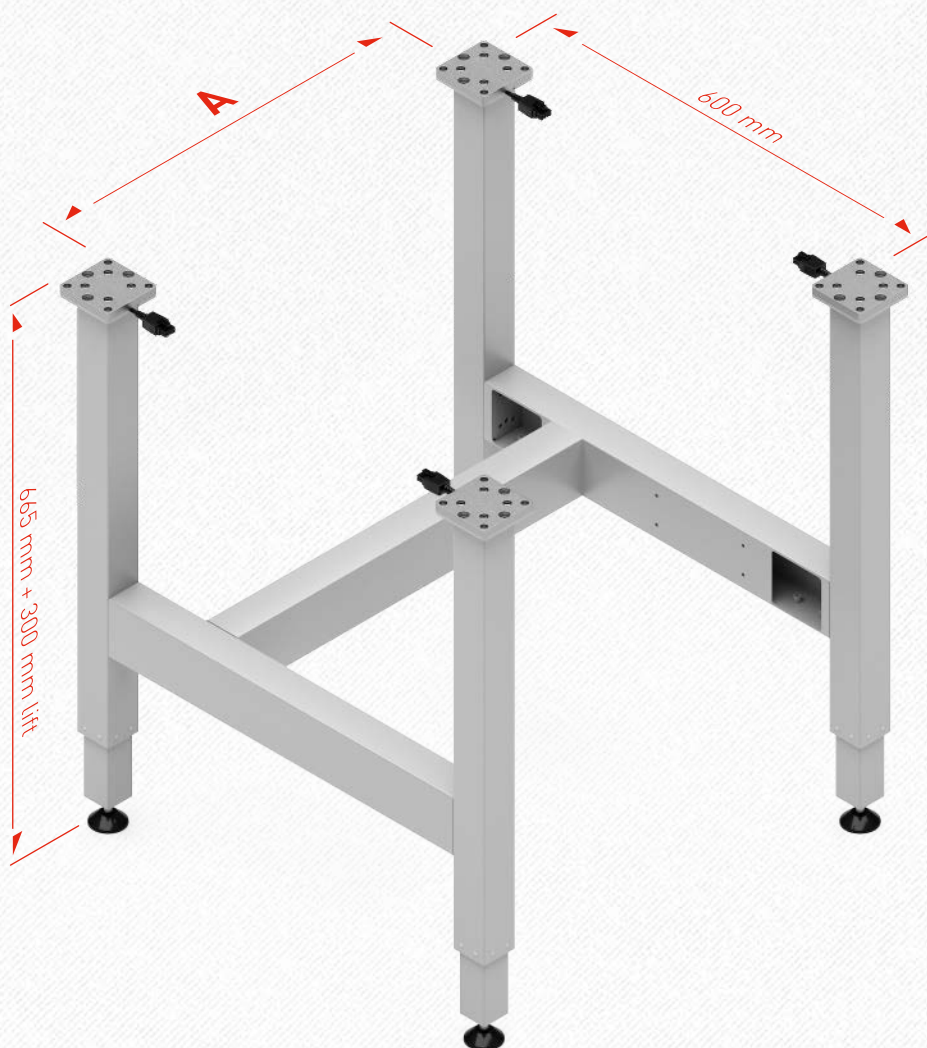
The frame **SE-4** consists of four lifting columns **SE** which are arranged in a rectangle connected by cross bars. Each lifting column **SE** is equipped with an adjustable rubber foot. The table plate can be mounted directly to the head plates of the lifting columns.

- Ideal as workbench

Assembly and operating instructions are included with every delivery. They can also be downloaded from [www.ergoswiss.com](http://www.ergoswiss.com).



## Dimensions of base frame **SE**



### Base frame **SE-4**

	<b>A</b>
<b>SE-4</b>	600 mm
<b>SE-4</b>	800 mm
<b>SE-4</b>	1000 mm
<b>SE-4</b>	1200 mm
<b>SE-4</b>	1600 mm

Detailed CAD drawings in various formats can be found at [www.ergoswiss.com](http://www.ergoswiss.com)