



### Quickly mounted

Tables can be put together quickly and flexibly with the **SQ** table base frame.

The maximum load is 500 kg. The max. height adjustment range is 400 mm.

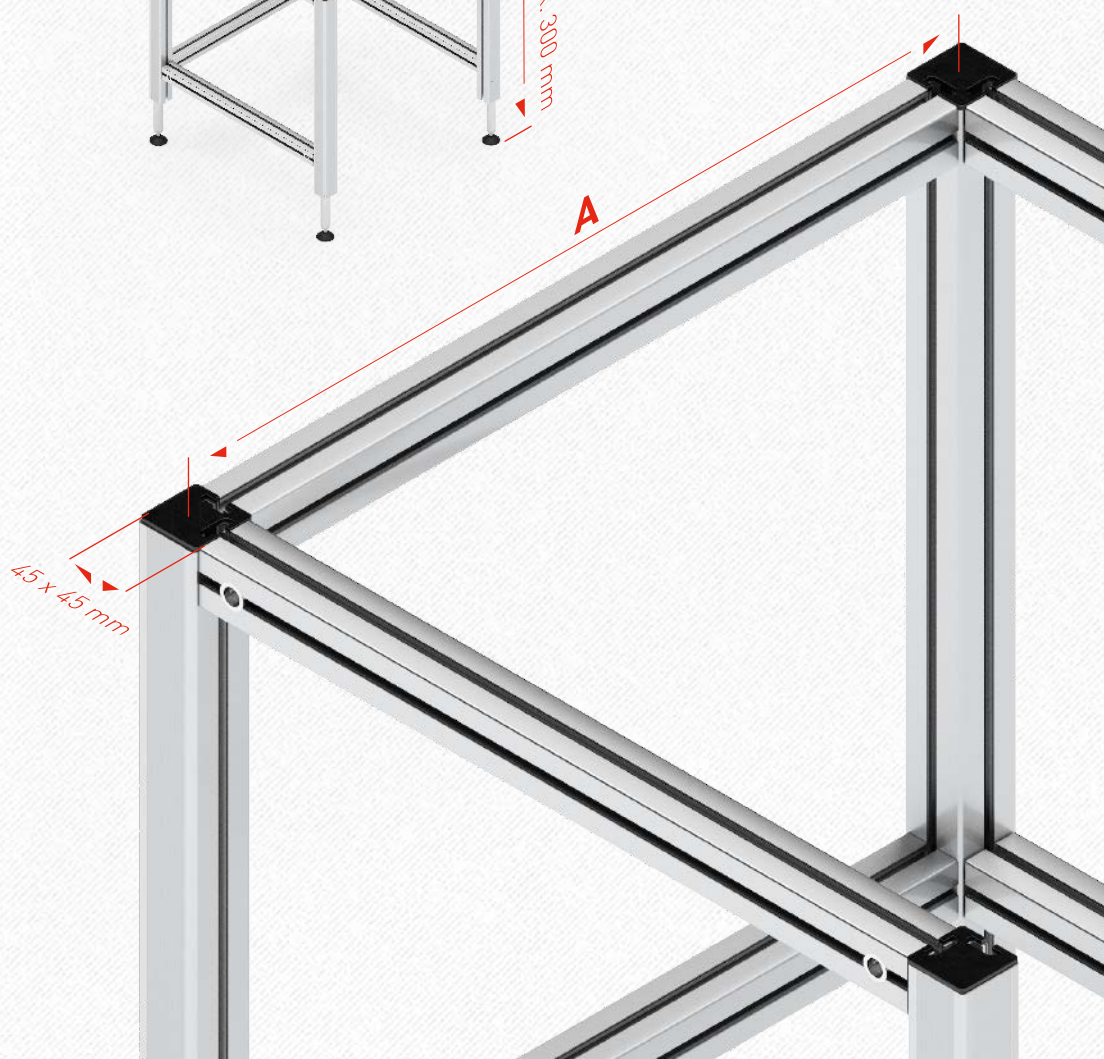
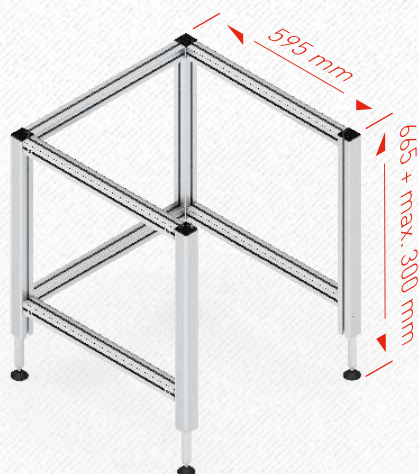
The base frame **SQ-4** consists of four lifting columns **SQ**, arranged in a rectangle and connected by crossbars. The lifting columns are equipped with adjustable rubber feet. The table top is attached directly to the crossbars of the lifting columns **SQ**.

- Ideal for light and slim workstations

Assembly and operating instructions are included with every delivery. They can also be downloaded from [www.ergoswiss.com](http://www.ergoswiss.com).



## Dimensions of base frame **SQ**



### Base frame **SQ-4**

	A
<b>SQ-4</b>	595 mm
<b>SQ-4</b>	795 mm
<b>SQ-4</b>	995 mm
<b>SQ-4</b>	1195 mm
<b>SQ-4</b>	1595 mm

Detailed CAD drawings in various formats can be found at [www.ergoswiss.com](http://www.ergoswiss.com)